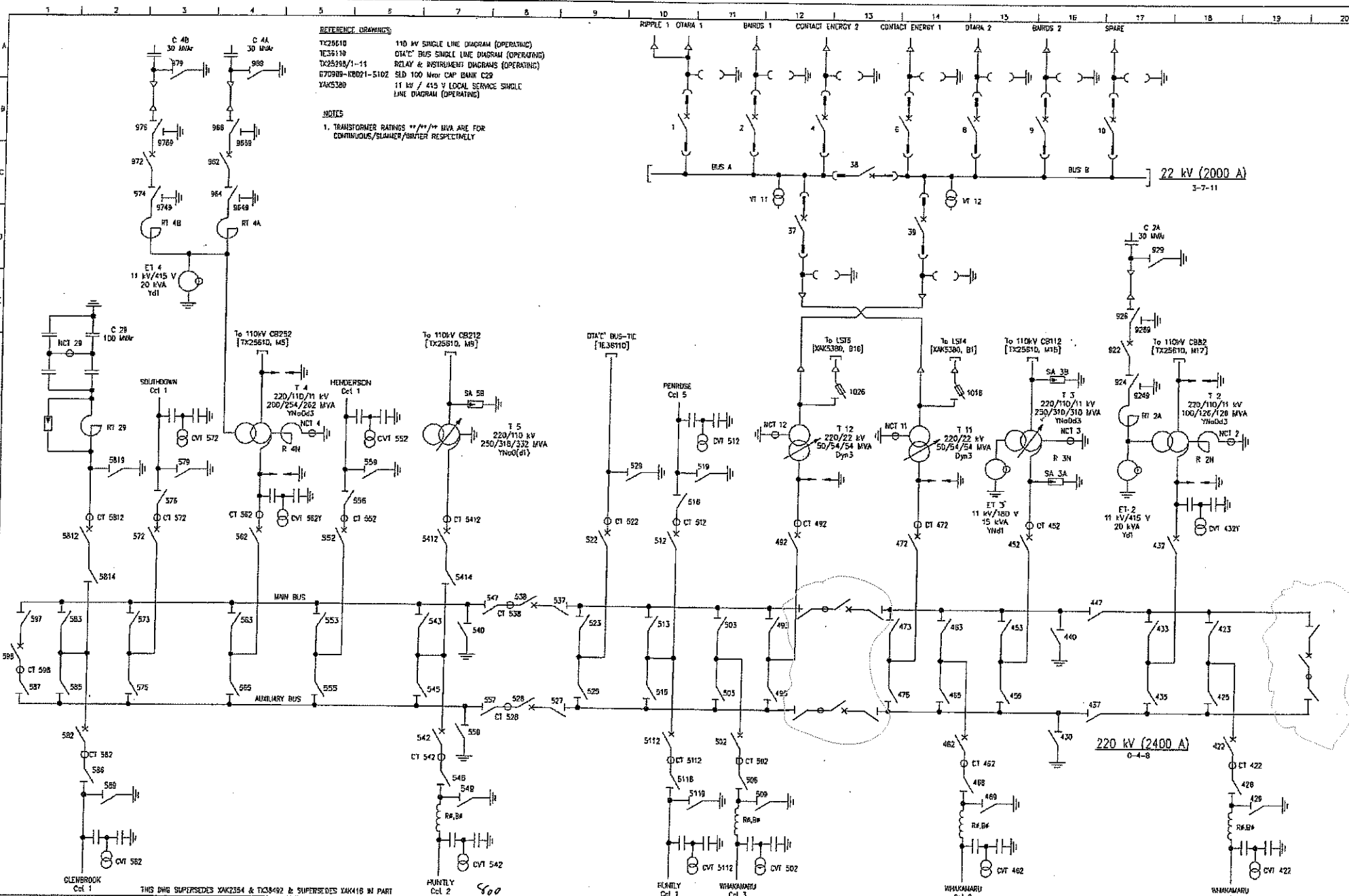


## **APPENDIX B**

### **SLD Drawings and Layouts**

COPYRIGHT 1981 TRANE POWER NEW ZEALAND LTD.  
 ALL RIGHTS RESERVED. UNAUTHORIZED USE PROHIBIT.

KHUNA\_05-Aug-04, TX25609, Sht 1, Rev U, DWG:SLD/DIST



**REFERENCE DRAWINGS**  
 TX25610 110 kV SINGLE LINE DIAGRAM (OPERATING)  
 TX25610 OTAHUHU BUS SINGLE LINE DIAGRAM (OPERATING)  
 TX25609-1-11 RELAY & INSTRUMENT DIAGRAMS (OPERATING)  
 670909-RBD21-5102 SLD 100 MVA CAP BANK C29  
 YAK5380 11 kV / 415 V LOCAL SERVICE SINGLE LINE DIAGRAM (OPERATING)

**NOTES**  
 1. TRANSFORMER RATINGS \*\*/\*\*/\*\* MVA ARE FOR CONTINUOUS/SLAMMER/SHORTER RESPECTIVELY

AMENDMENT				AMENDMENT				AMENDMENT				AMENDMENT			
NO	DATE	BY	APP. DATE	NO	DATE	BY	APP. DATE	NO	DATE	BY	APP. DATE	NO	DATE	BY	APP. DATE
1	11.03	JM	11.03	1	11.03	JM	11.03	1	11.03	JM	11.03	1	11.03	JM	11.03
2	2.04	JM	2.04	2	2.04	JM	2.04	2	2.04	JM	2.04	2	2.04	JM	2.04
3	5.04	JM	5.04	3	5.04	JM	5.04	3	5.04	JM	5.04	3	5.04	JM	5.04

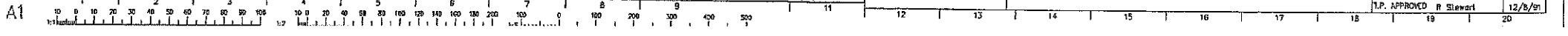
CONTRACTOR	T.P.	CONTRACTOR	T.P.	CONTRACTOR	T.P.	CONTRACTOR	T.P.
GLENSIDE	800	HUNTLY	800	HUNTLY	800	WHAKAMARU	800

NO	DATE	BY	APP. DATE	NO	DATE	BY	APP. DATE
1	11.03	JM	11.03	1	11.03	JM	11.03
2	2.04	JM	2.04	2	2.04	JM	2.04
3	5.04	JM	5.04	3	5.04	JM	5.04

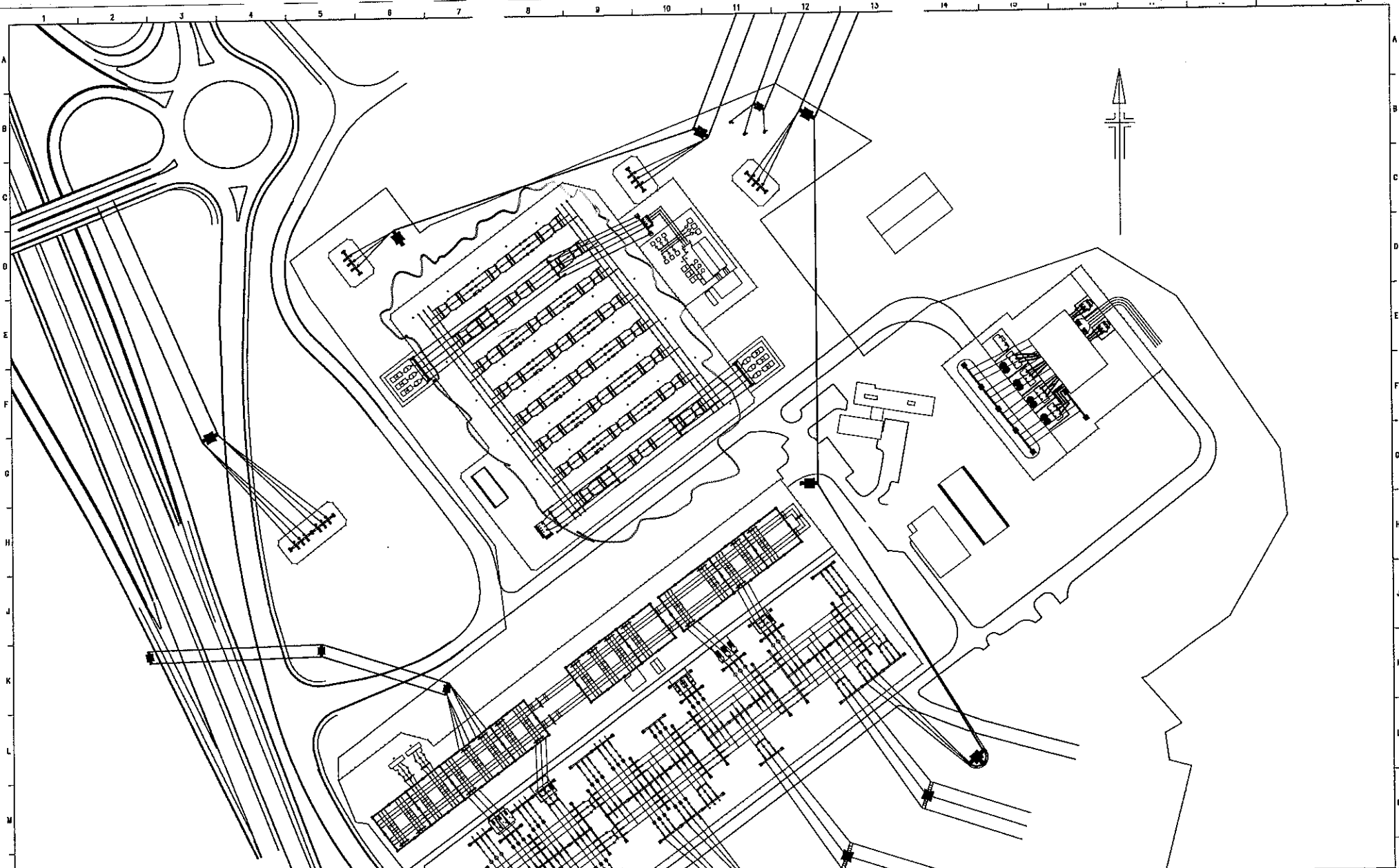
OTAHUHU SUBSTATION  
 Single Line Diagram (Design)  
 Option 4

SCALE  
 FOLDER 02/2c1.1  
 Sketch 1  
 CAD FILE NAME TX25609.DWG  
 T.P. APPROVED R Stewart 12/8/04





© COPYRIGHT 2002 TRANS POWER NEW ZEALAND LTD. ALL RIGHTS RESERVED. UNAUTHORIZED USE PROHIBITED.



**COPYRIGHT (c) 2005 TRANSPOWER NEW ZEALAND LIMITED ALL RIGHTS RESERVED** This document is protected by copyright vested in Transpower New Zealand Limited ("Transpower"). No part of the document may be reproduced or transmitted in any form by any means including, without limitation, electronic, photocopying, recording or otherwise, without the prior written permission of Transpower. No information embodied in the documents which is not already in the public domain shall be communicated in any manner whatsoever to any third party without the prior written consent of Transpower. Any breach of the above obligations may be restrained by legal proceedings seeking remedies including injunctions, damages and costs.

This document is produced for internal use only and has not been approved for external release. Its conclusions are based on information currently available to Transpower and may change as further information becomes available either internally or externally.

**WARNING**  
This is a conceptual layout only. Layout dimensions do not necessarily allow for EMF or electrical clearances under fault or high wind conditions.

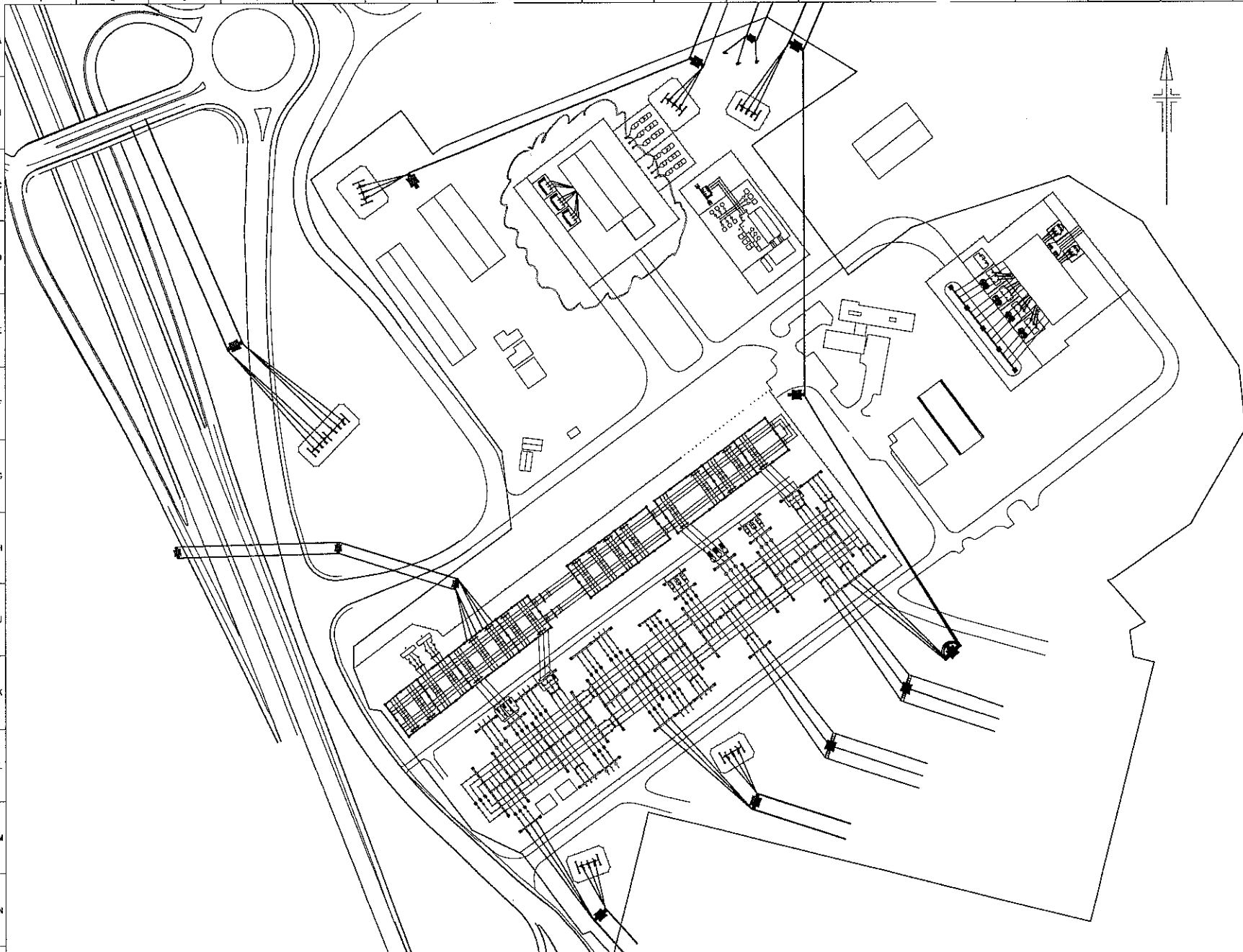
REV	DESCRIPTION	CONSULTANT						IP		DESIGNED	M. Stewart	07.2006
		NAME	DSN DATE	DRN DATE	CHK DATE	APP DATE	APP DATE	DATE	DATE			
										A. Gilmore	07.2006	



**OTAHUHU SUBSTATION**  
400 KV GIS - 220 KV AIS  
ULTIMATE DEVELOPMENT  
PLAN VIEW

ORG. SIZE	SCALE	FOLDER
A1	-	-
DRAWING NUMBER		SHEET REVISION
OTAN220_1		2 -
CAD FILE NAME		
OTAN220_1.DWG		

© COPYRIGHT 2006 TRANS POWER NEW ZEALAND LTD.  
ALL RIGHTS RESERVED. UNAUTHORISED USE PROHIBITED.



**WARNING**  
This is a conceptual layout only. Layout dimensions do not necessarily allow for EBF or electrical clearances under fault or high wind conditions.

This document is produced for internal use only and has not been approved for external release. Its conclusions are based on information currently available to Transpower and may change as further information becomes available either internally or externally.

COPYRIGHT (C) 2006 TRANSPOWER NEW ZEALAND LIMITED ALL RIGHTS RESERVED This document is protected by copyright vested in Transpower New Zealand Limited ("Transpower"). No part of the document may be reproduced or transmitted in any form by any means including, without limitation, electronic, photocopying, recording or otherwise, without the prior written permission of Transpower. No information embodied in the documents which is not already in the public domain shall be communicated in any manner whatsoever to any third party without the prior written consent of Transpower. Any breach of the above obligations may be restrained by legal proceedings seeking remedies including injunctions, damages and costs.

REV	DESCRIPTION	NAME	DSN	DATE	DRN	DATE	CHK	DATE	APP	DATE	APP	DATE	DESIGNED	M. Stewart	08.2006	08.2006	ORG. SIZE	A1	SCALE	-	FOLDER	
													DRAWN	A. Gilmore	08.2006	08.2006						
													CHECKED									
													APPROVED									
													TP APPROVED									
													PREPARED BY:									
<b>TRANSPOWER</b>																<b>OTAHUHU SUBSTATION</b>						
<b>220 KV GIS</b>																<b>DRAWING NUMBER</b>						
<b>OPTION 3</b>																<b>02GIS-22</b>						
<b>ULTIMATE DEVELOPMENT PLAN VIEW</b>																<b>CAD FILE NAME</b>						
																<b>02GIS-22.DWG</b>						